

1

2

3

4

5

6

A

A

B

B

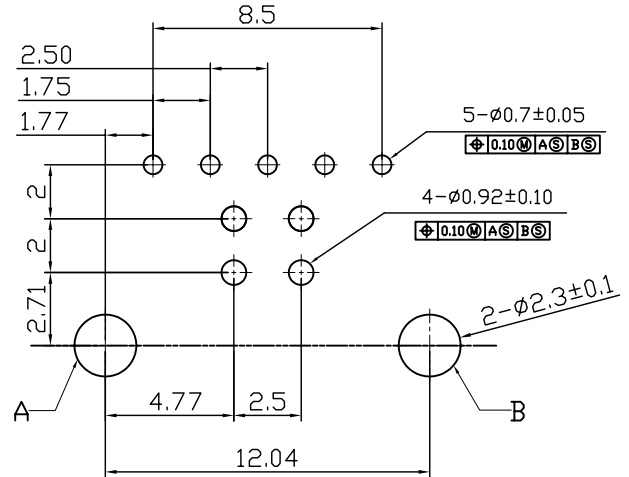
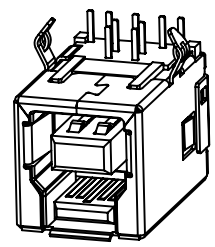
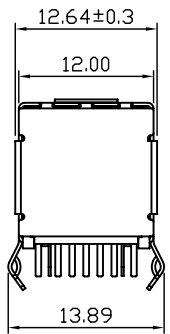
C

C

D

D

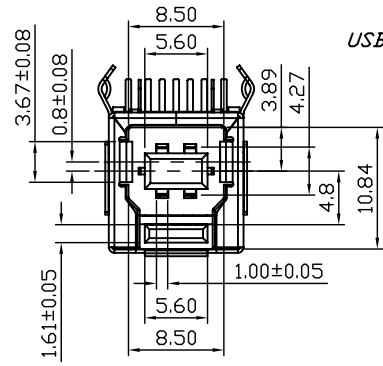
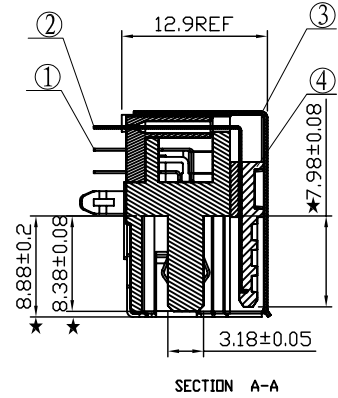
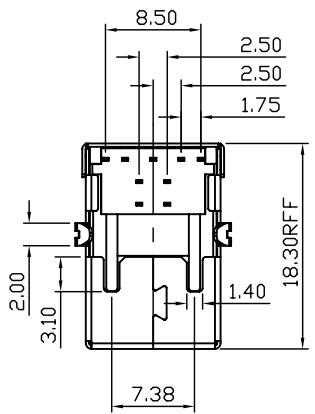
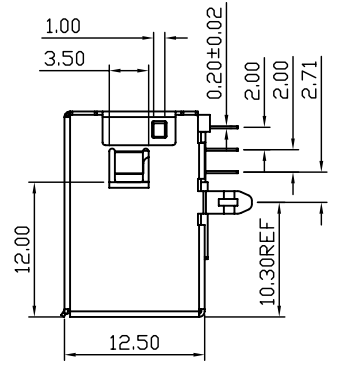
REVISIONS			
REV.	DESCRIPTION	DATE	REVISED BY



RECOMMENDED PCB LAYOUT (COMPONENT SIDE)  
 PCB LAYOUT TOLERANCE: ±0.05 (PCB T=1.6mm)

NOTE:

- ELECTRIC:
  - a. CONTACT RESISTANCE: 30 MILLIOHMS MAX
  - b. INSULATION RESISTANCE: 1000 MEGA OHMS MIN
  - c. DIELECTRIC VOLTAGE: 1.8A AT 250V AC MIN
  - d. OPERATING TEMPERATURE: -55°C - 85°C
- INSERTION FORCE: 35N Max  
 EXTRACTION FORCE: 10N MIN INITIAL AND 8N MIN AFTER THE SPECIFIED
- ★ STRESS REPRESENTATIVE SIZE



HOW TO ORDER:  
 USB3-A00900XXXXXX

- 01: TERMINAL PLATING Au:1U\*
- 03: TERMINAL PLATING Au:3U\*
- 05: TERMINAL PLATING Au:5U\*
- 15: TERMINAL PLATING Au:15U\*
- 30: TERMINAL PLATING Au:30U\*
- A: Shell PLATING Au:G/F
- N: Shell PLATING Ni:80U\*
- F: Shell Fe
- C: Shell Cu
- P: HOUSING MATERIAL IS PBT
- L: HOUSING MATERIAL IS LCP
- B: HOUSING COLOR IS BLUE
- W: HOUSING COLOR IS WHITE
- H: HOUSING COLOR IS BLACK

ITEM	DESCRIPTION	MATERIAL	REMARKS
4	HOUSING	PBT/LCP	UL94V-0
3	SHELL	SPCC or Brass	OVEP-PLATING: Ni Or Au
2	5P TERMINAL	Brass T=0.2mm	OVEP-PLATING: Au Ni/Sn
1	4P TERMINAL	Phosphor Bronze T=0.2mm	OVEP-PLATING: Au Ni/Sn



EBE TECHNOLOGY (HK) LIMITED

GENERAL TOLERANCE		Description	USB3.0 B母 插板式 90度		Third Angle Projection	
X.	±0.20	X°	±2°	Customer Name	Drawing By	王超
X.X	±0.15	X.X°	±1°	Customer No.	Designed By	
X.XX	±0.13	X.XX°	±0.5°	Produce No.	Approved By	许代略
		Date	2011.12.20	Scale		

Units

MM  Inch

REV

A/0

1

2

3

4

5

6